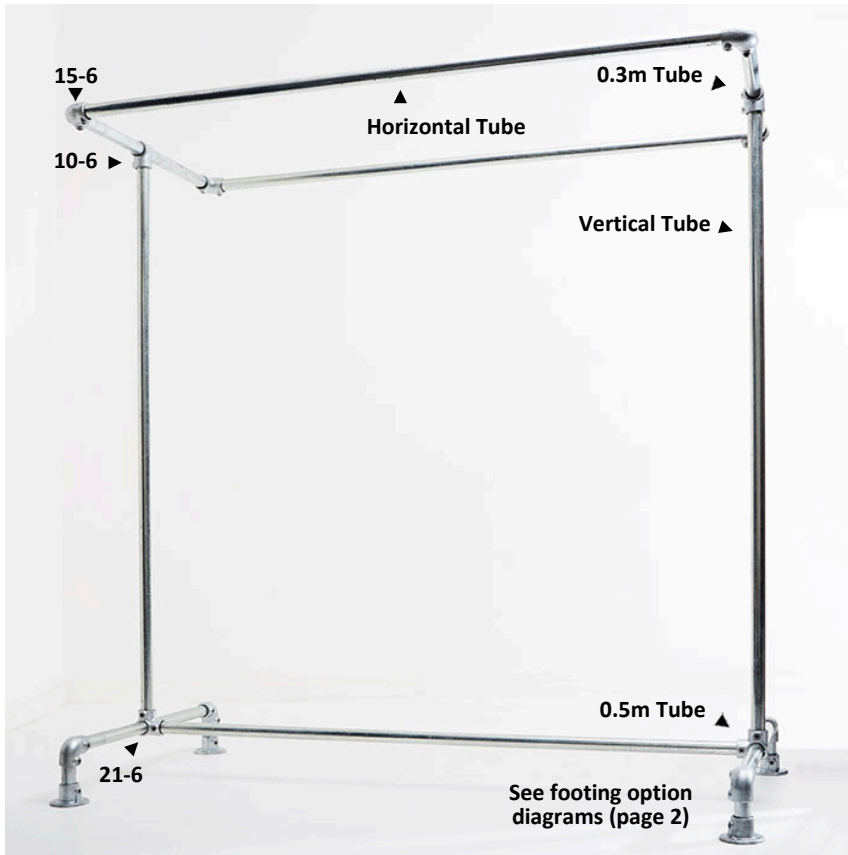


Freestanding Clothing Rack — Double Kit Instructions



Basic Installation Instructions

1. Confirm that you have all the required parts.
2. Assemble the parts according to the enclosed diagram.
3. When you initially assemble the unit loosely tighten the fitting set screws. After the unit is completely assembled, fully tighten all set screws.
4. If installing plugs, place cloth over plug and hammer into place.

Troubleshooting

If the rack seems wobbly, loosen the footing set screws and adjust the footing pipes until the rack is stable.

Parts

Standard Rack Parts

Qty Part

- 4 15-6 Elbows
- 2 21-6 Side Outlet Tees
- 2 10-6 Single Socket Tees
- 2 Horizontal Tube
- 2 Vertical Tube
- 2 0.3m Tube
- 2 0.5m Tube

Footing Options

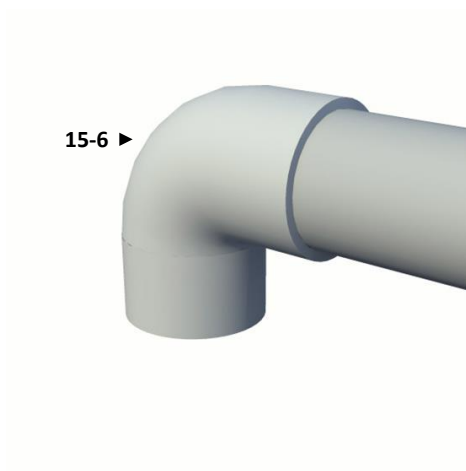
- | | | |
|--------|---|---------------------|
| Elbow | 4 | 15-6 Elbows |
| Post | 4 | 15-6 Elbows |
| | 4 | 0.1m Tubes |
| | 4 | 133-6 Plastic Plugs |
| Flange | 4 | 15-6 Elbows |
| | 4 | 0.1m Tubes |
| | 4 | 61-6 Flange |
| Flat | 4 | 15-6 Elbows |
| | 4 | 0.1m Tubes |
| | 4 | 59-6 Spigot Flange |

Tools

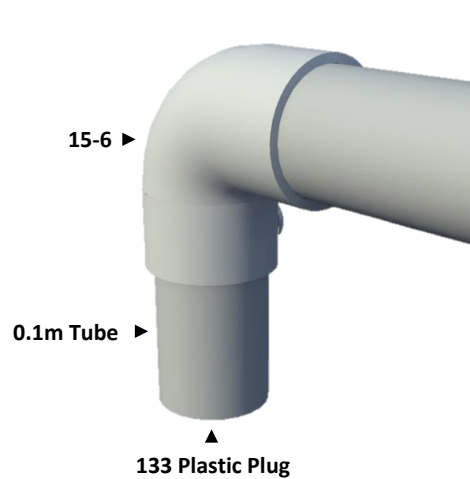
- Allen Key (included)
- Hammer (for plugs)

Freestanding Clothing Rack — Double Kit Instructions

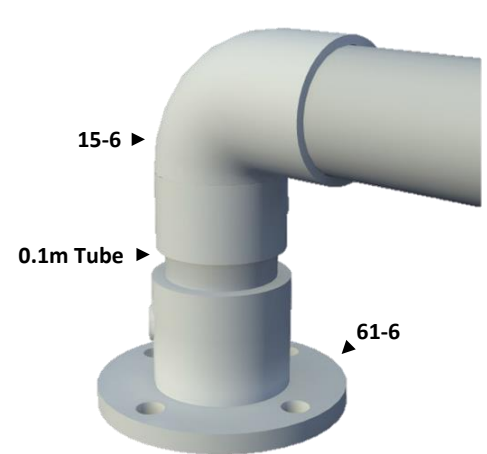
Elbow Footing



Post Footing



Flange Footing



Flat Footing

