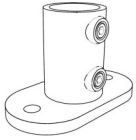


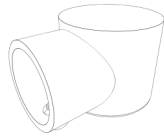
Simple Rail

DDA-D518

SIMPLIFIED
BUILDING



2X
62-8
Standard Railing
Flange



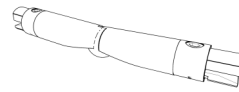
2X
10-840C
Single Handrail
Socket Capped



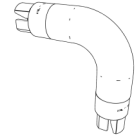
4X
518-7
Handrail
Bracket



2X
10-848
Single Handrail
Socket



4X
554/514-7
Variable Angle
w/ Internal Couplings



4X
520/514-7
90° Solid Elbow
w/ Internal Couplings



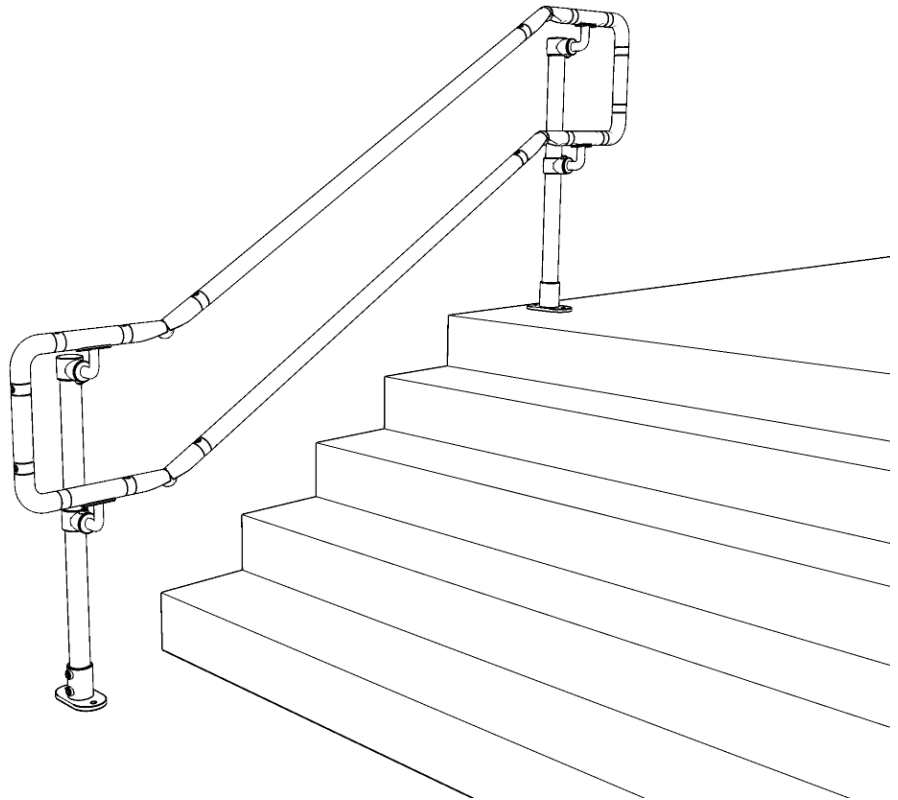
1X
Allen Key



4X(each)
Fixings

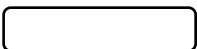


8X
#10 x 20
Self Tapping
Screws
(not included)

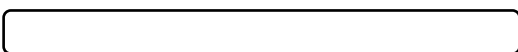


Pipe

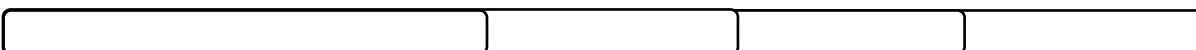
Short Tube Pieces, Length Varies (6X)



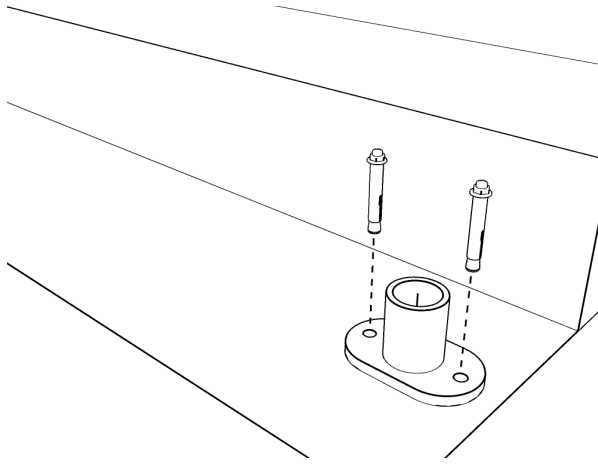
Posts, 1000mm (2X)



Main Handrail, Length Varies (1X)



1.



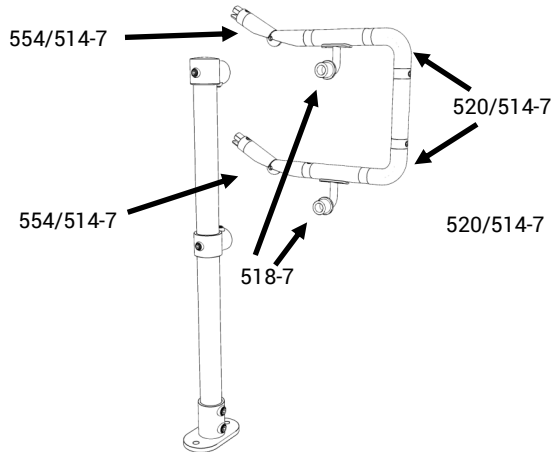
Mark and drill 12mm holes for the flange fasteners. Use the coach screws for wood, and the sleeve anchors for concrete or masonry. Consult a contractor for any non-typical mounting surfaces.

2.



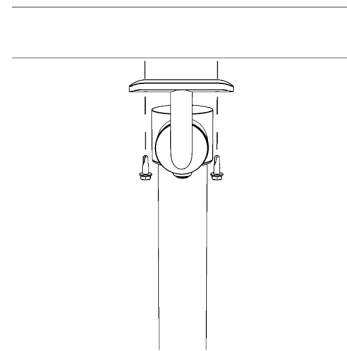
Slide the post tube into flange socket. Slide 10-848 and 10-840C onto the post tube as indicated above, approx 300mm apart from center to center. Tighten set screws. Perform this action for both posts.

3.



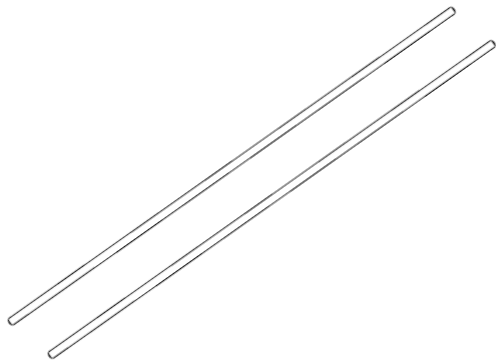
Assemble the rest of the post per the diagram above. Tighten all set screws using the provided Allen keys. Perform this action for both posts.

4.



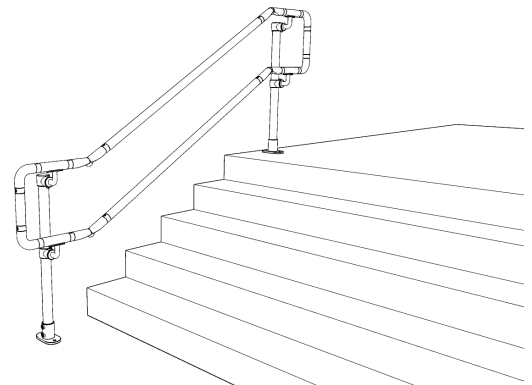
Mount the tube resting on the 518-7 Handrail Bracket by centering the tube in the bracket. Screw through the fixing holes into the tube using the Self Tapping Screws. Perform this action for both posts on the top and mid rails.

5.



Measure the distance between the variable angles for your grab rail length. Trim the grab rail to the proper length, using a band saw or chop saw.

6.



Attach the grab rail to the internal couplings on each end. Tighten set screws on couplings and flanges.

Push and pull on the railing to check for sturdiness. If there is any movement, retighten all set screws.

ADA Rules

1.

DDA Railing must be smooth and continuous. Both sides of a ramp or stairs must have railing to be compliant.

2.

Finished railing height must fall between 900mm and 1100mm above the floor. This kit has 2x 1000mm posts included which place rail height just over 1000mm.

3.

Railing ends need to return either into a post or a wall to prevent snagging or injury from a protruding tube end. This kit is designed to return into the post via use of a looped return.