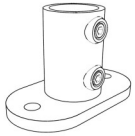


# Simple Rail

SR-29

SIMPLIFIED  
BUILDING



2X  
62-7  
Standard Railing  
Flange



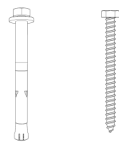
2X  
29-7  
30°-60°  
Single Socket Tee



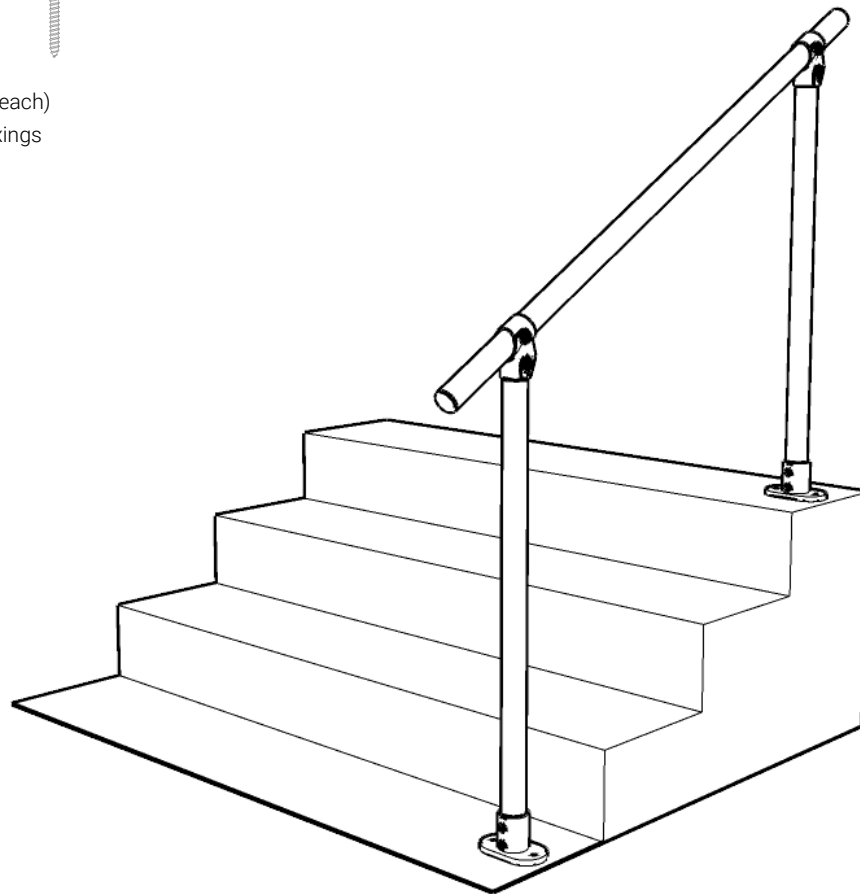
2X  
84-7  
Malleable Plug



1X  
Allen Key



4X(each)  
Fixings

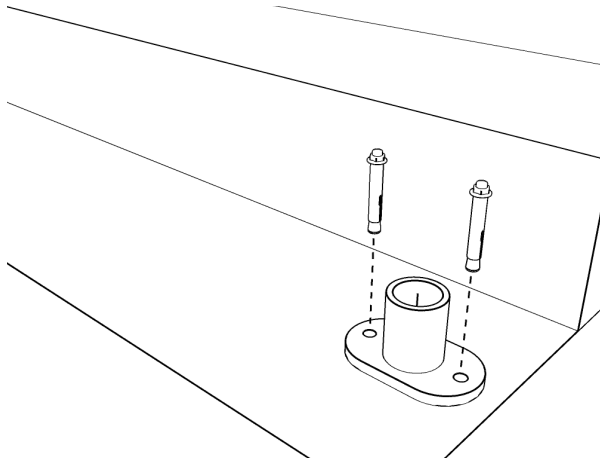


## **Pipe**

Posts, 1000mm (2X)

Handrail, Length Varies (1X)

**1.**



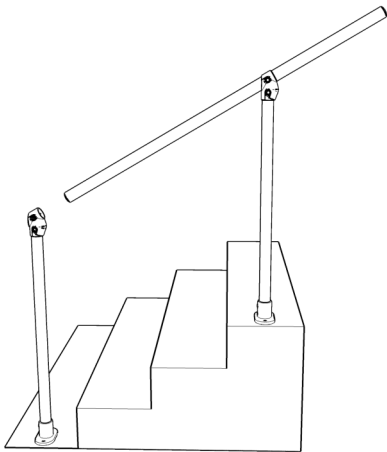
Mark and drill 12mm holes for the flange fasteners. Use the coach screws for wood, and the sleeve anchors for concrete or masonry. Consult a contractor for any non-typical mounting surfaces.

**2.**



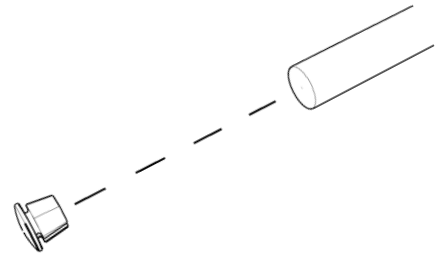
Center a 1000mm piece of tube in the bracket on the 29-7. Attach by tightening the grub screws with the Allen key.

**3.**



Slide the handrail pipe through the 29-7 tee sockets. Tighten set screws.

**4.**



Set the 84-7 malleable plug against each end of the handrail tube. Cover the plug with a rag, and tap it into the tube until the plate is flush with the end of the tube.

Check the railing for sturdiness by pushing and pulling on the handrail. If there is any movement, re-tighten all set screws.

These instructions are meant to be a guide, and are not a substitute for construction experience. Consider consulting a contractor for your installation. For more information regarding Simple Rail, visit our website at <https://www.simplifiedbuilding.co.uk/>, or speak to one of our team members, at 01384 476 107.