

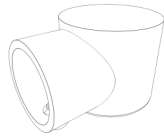
Simple Rail

SR-518

SIMPLIFIED
BUILDING



2X
62-8
Standard Railing
Flange



2X
10-840C
Single Handrail
Socket Capped



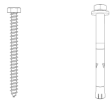
2X
518-7
Handrail
Bracket



2X
84-7
Malleable Plug



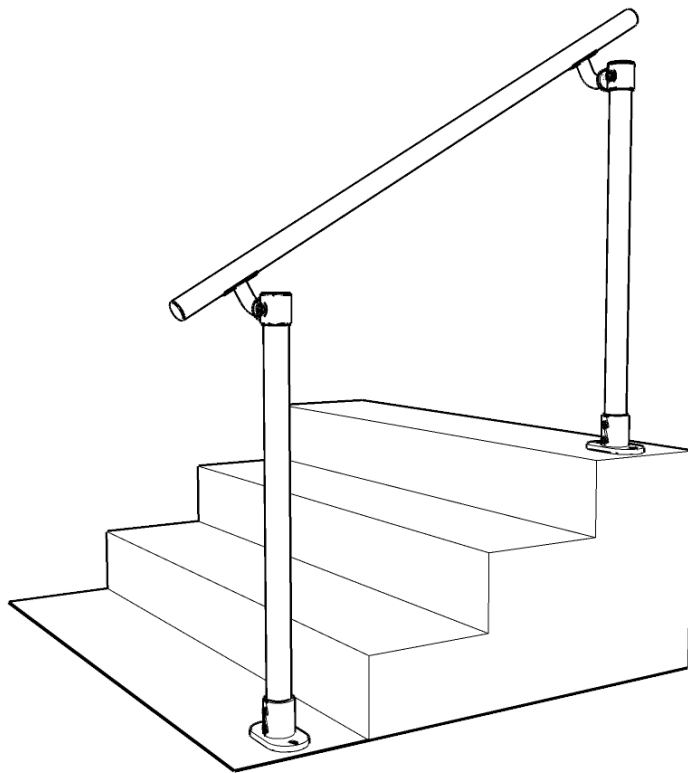
1X
Allen Key



4X(each) Fixings
(included)



4X #10 x 20mm
Self Tapping Screws
(not included)

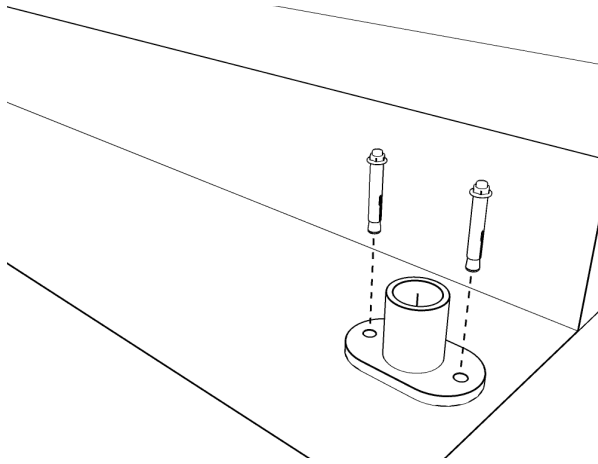


Tube

Posts, 1000mm (2X)

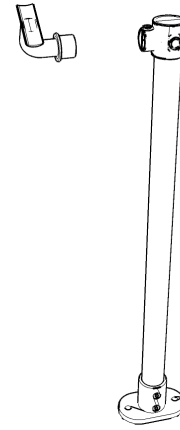
Handrail, Length Varies (1X)

1.



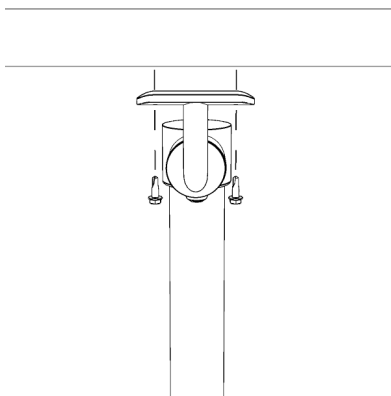
Mark and drill 14mm holes for the flange fasteners. Use the screws for wood, and the sleeve anchors for concrete or masonry. Consult a contractor for any non-typical mounting surfaces.

2.



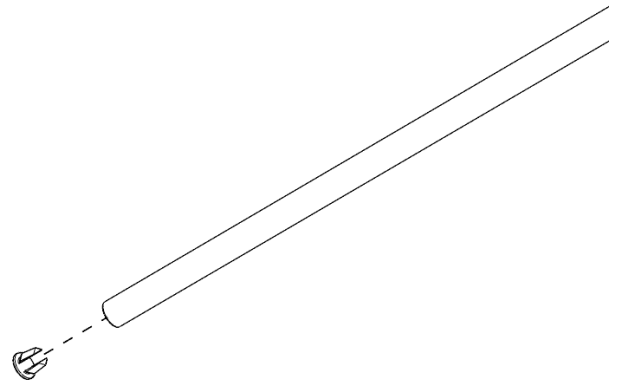
Slide the post tube into flange socket. Slide the 10-840C onto the post tube, then insert the handrail bracket into the side socket. Tighten set screws. Perform this action for both posts.

3.



Lay the handrail onto the brackets, with an equal amount of tube extending past each post. Drive the self-tapping screws through the fixing holes into the tube. Do this for both posts.

4.



Push the 84-7 Malleable Plug into the end of the handrail. Use a rubber mallet to tap the plug into the end until it's flush with the tube edge. Do this for both ends of the handrail.

These instructions are meant to be a guide, and are not a substitute for construction experience. Consider consulting a contractor for your installation. For more information regarding Simple Rail, visit our website at <https://www.simplifiedbuilding.co.uk/>, or speak to one of our team members, at 01384 476 107.