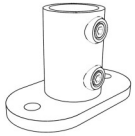


Simple Rail

SR-55C58

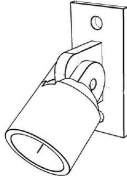
SIMPLIFIED
BUILDING



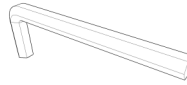
1X
62-7
Standard Railing
Flange



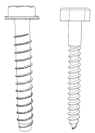
1X
55-7
Obtuse
Angle Elbow



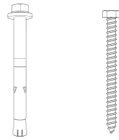
1X
C50-7
Swivel
Socket Member



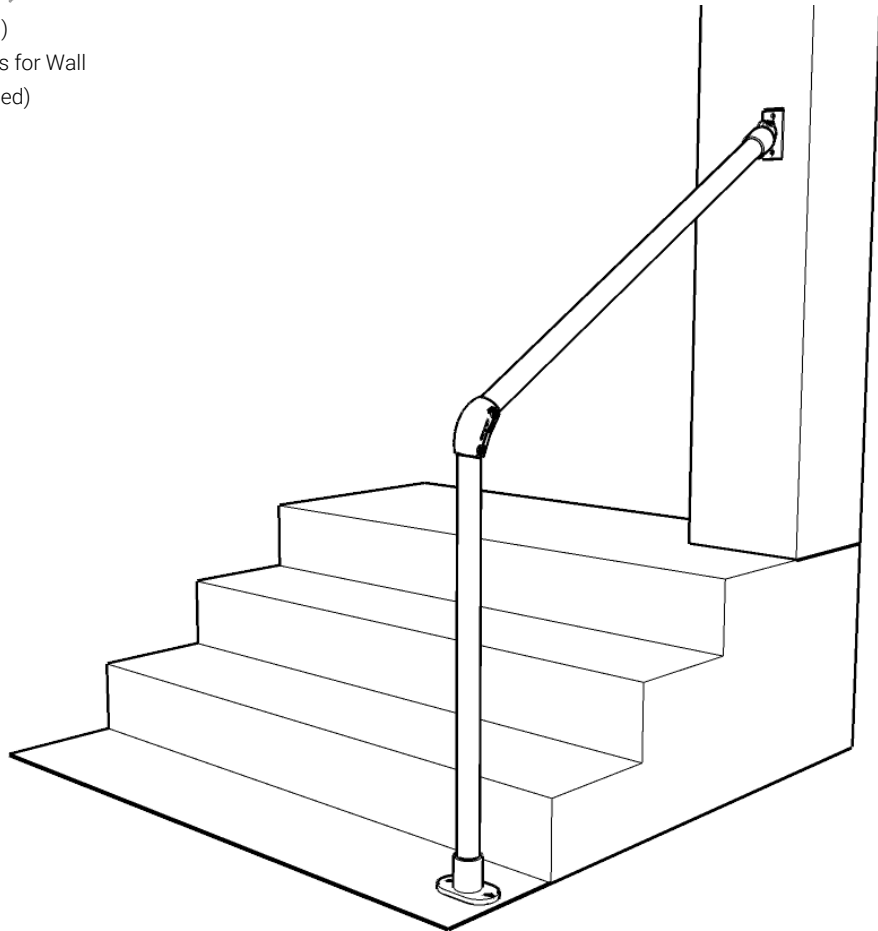
1X
Allen Key



2X(each)
Base Plate Fixings
(not included)



4X(each)
Flange Fasteners for Wall
(not included)

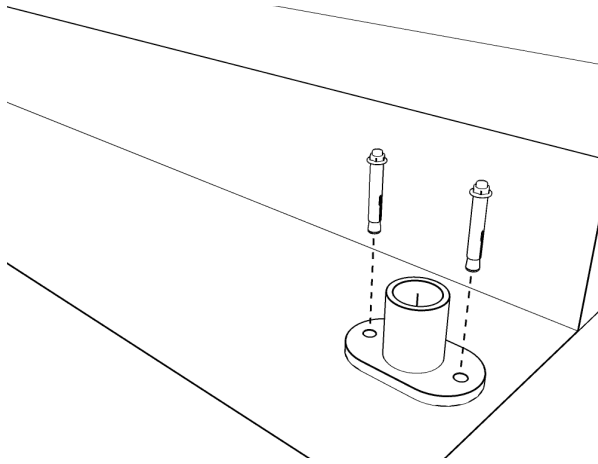


Pipe

Post, 1200mm (1X)

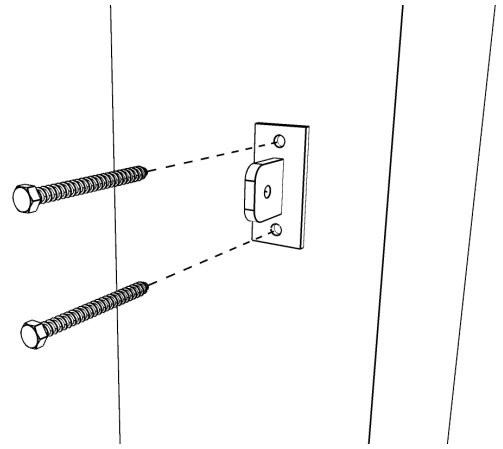
Handrail, Length Varies (1X)

1.



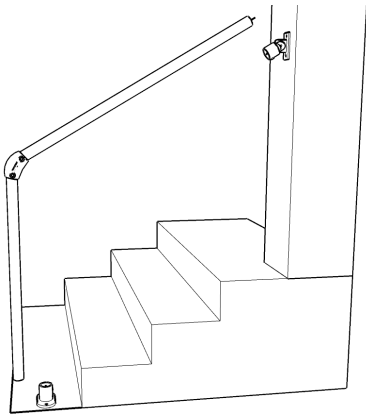
Mark locations for flange fixing holes and attach using the relevant fixings. Use the coach screws for wood or sleeve anchors for concrete.

2.



Measure 900mm from the top step up the wall. This mark should be the center of the base plate. Mark locations for base plate fixing holes and attach using relevant fixings.

3.



Attach the handrail tube to the post tube with the 55-7 elbow. Slip the opposing ends into the flange socket and the C50-7 socket, and tighten all set screws.

Check the railing for sturdiness by pushing and pulling on the handrail. If there is any movement, re-tighten all set screws.

These instructions are meant to be a guide, and are not a substitute for construction experience. Consider consulting a contractor for your installation. For more information regarding Simple Rail, visit our website at <https://www.simplifiedbuilding.co.uk/>, or speak to one of our team members, at 01384 476 107.