

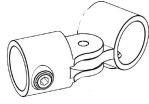
Simple Rail

SR-C50

SIMPLIFIED
BUILDING



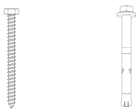
2X
62-7
Standard Railing
Flange



2X
C50-7
Single Swivel
Socket



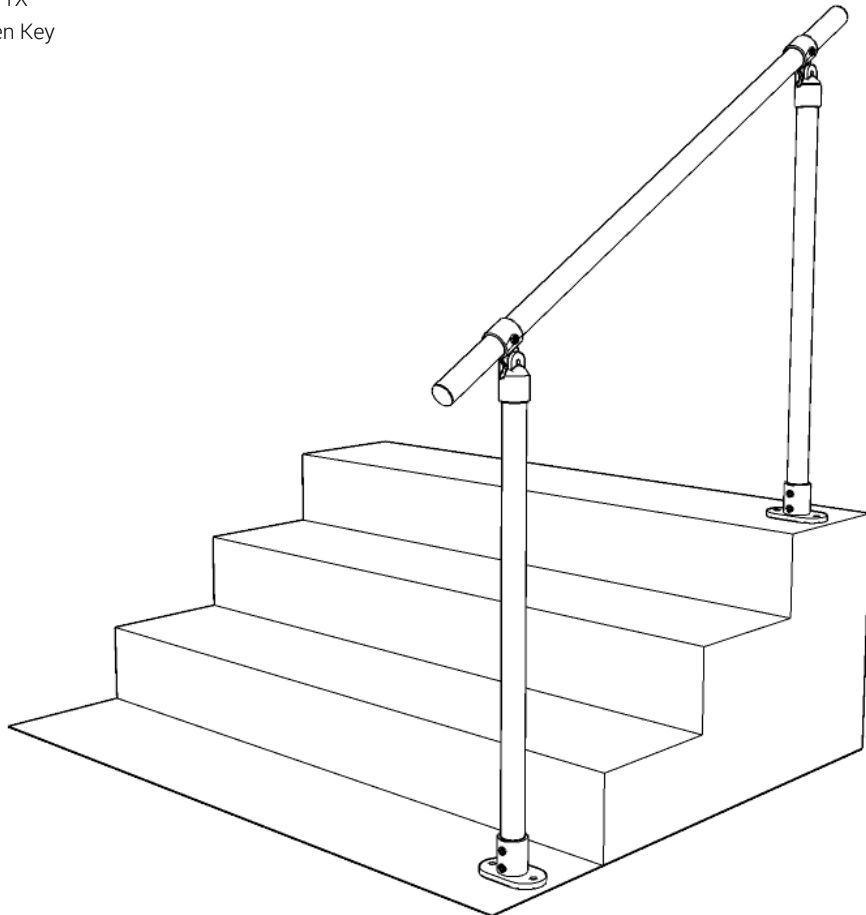
2X
84-7
Malleable Plug



4X (each)
Fixings



1X
Allen Key

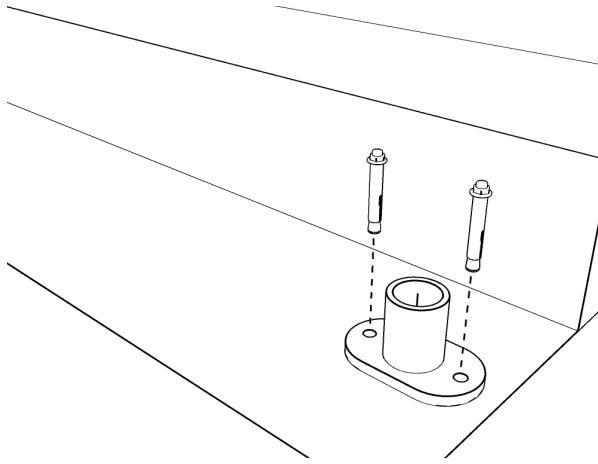


Pipe

Posts, 1000mm (2X)

Handrail, Length Varies (1X)

1.



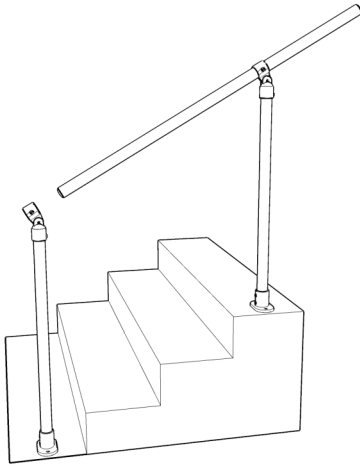
Mark and drill 12mm holes for the flange fasteners. Use the coach screws for wood, and the sleeve anchors for concrete or masonry. Consult a contractor for any nontypical mounting surfaces.

2.



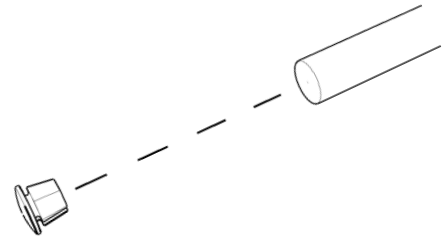
Slide the 1000mm tube into the flange socket until it is touching the flange base plate. Slide the M5-7 socket down on top of the 1000mm tube. Tighten all set screws.

3.



Slide the handrail tube through the M5-7 sockets. Tighten set screws.

4.



Set the 84-7 malleable plug against each end of the handrail tube. Cover the plug with a rag, and tap it into the tube until the plate is flush with the end of the tube.

Check the railing for sturdiness by pushing and pulling on the handrail. If there is any movement, re-tighten all set screws.

These instructions are meant to be a guide, and are not a substitute for construction experience. Consider consulting a contractor for your installation. For more information regarding Simple Rail, visit our website at <https://www.simplifiedbuilding.co.uk/>, or speak to one of our team members, at 01384 476 107.