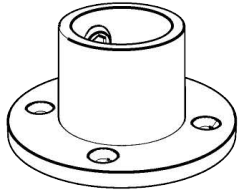


# Table Frame

## K-Frame Desk

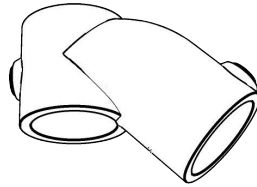
(suitable for 154 x 75 cm table tops)

SIMPLIFIED  
BUILDING



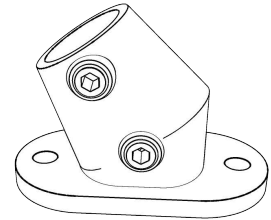
61-7  
Flange

4x



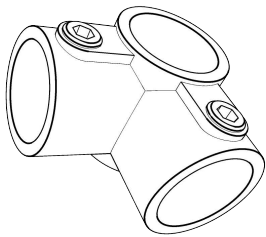
12-7  
45° Angled Tee

2x



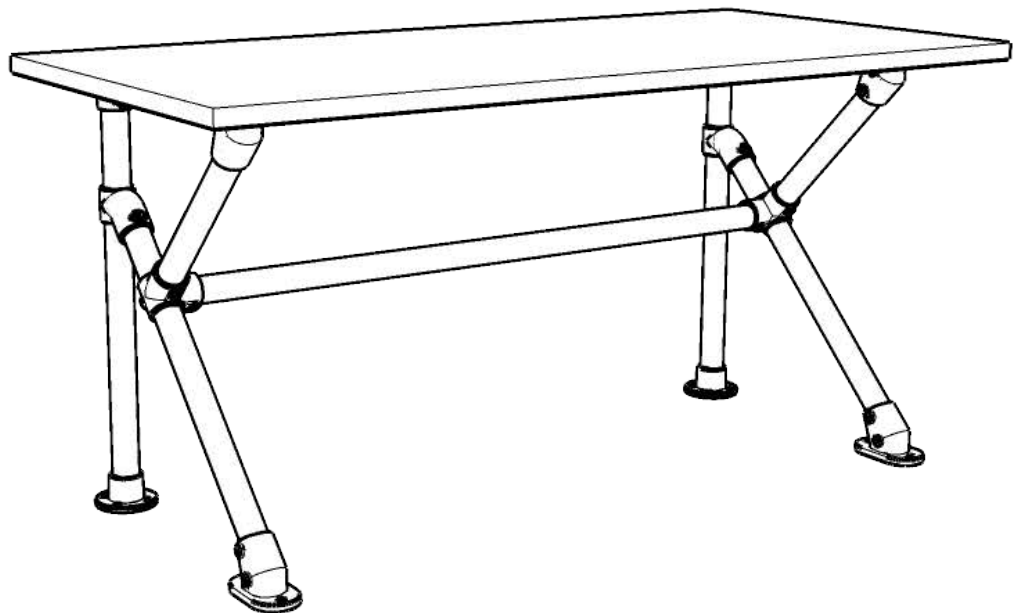
63-7  
Angled Flange

4x



21-7  
Side Outlet Tee

2x



2x 45 cm

2x 60 cm

2x 76 cm

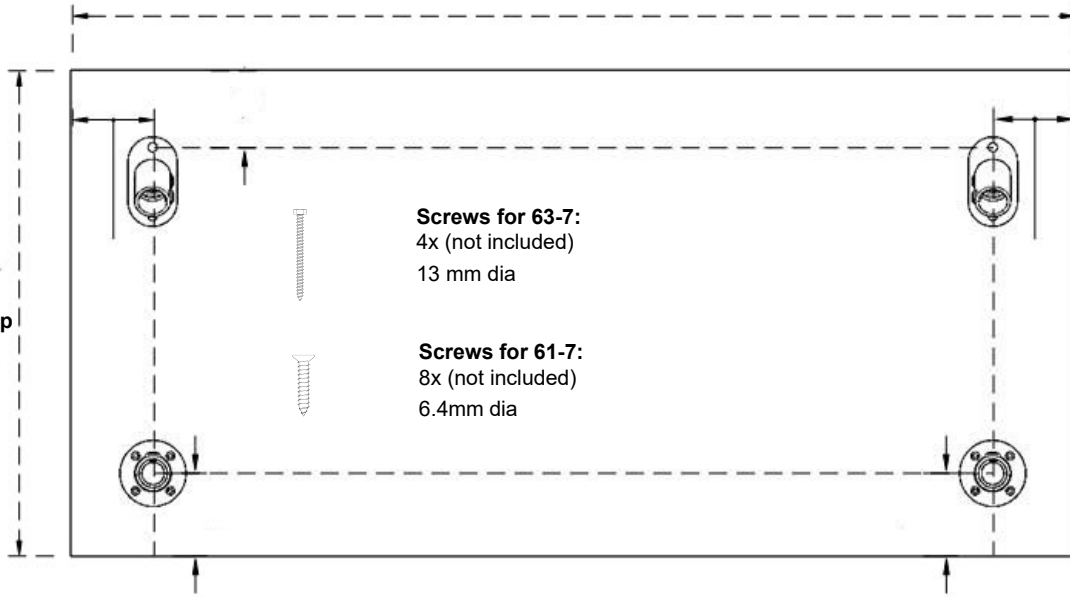
1x 125 cm

1.

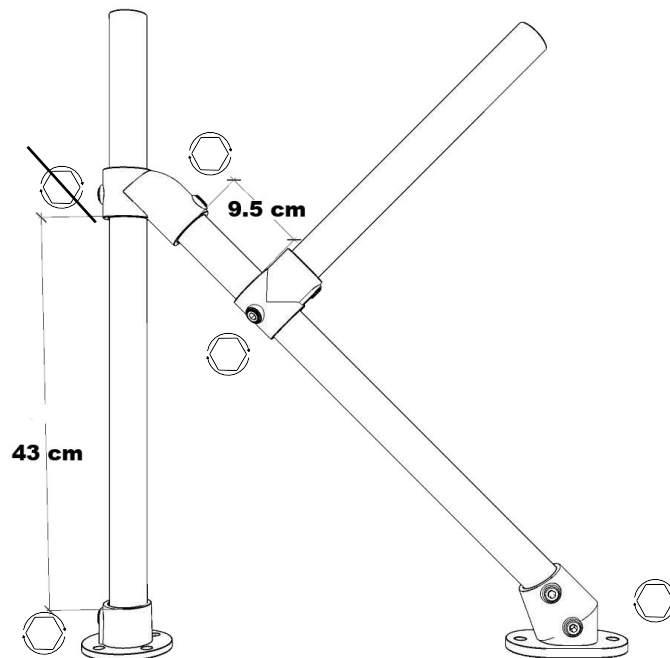
### Tabletop Mounting Dimensions

Table top length:  
154 cm

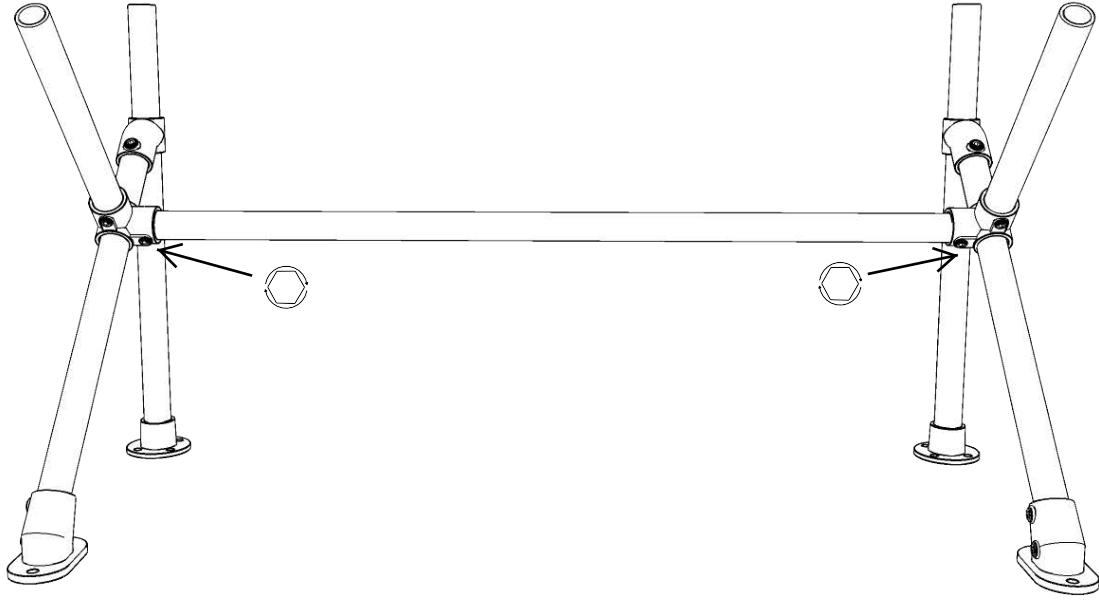
Table top  
width:  
75 cm



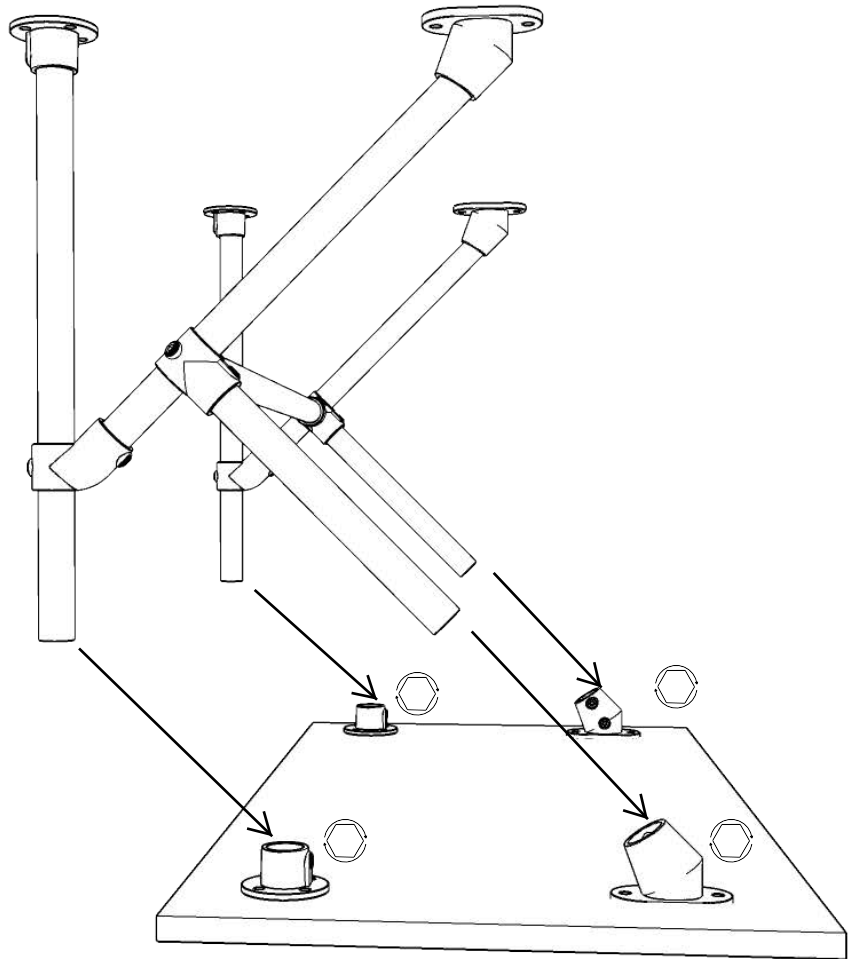
2.



3.



4.



## INSTALLATION TIPS

1. Adjust individual fittings to square and level the frame.
2. Use a socket wrench with a 8mm hex bit for faster assembly.
3. If the table seems wobbly, there may be a pipe slightly out of place. Loosen a few setscrews in the problem area and adjust as necessary.
4. Finish up your assembly by ensuring all setscrews are tightened properly.

