



Safety Solutions for a Portable Deadweight Anchor

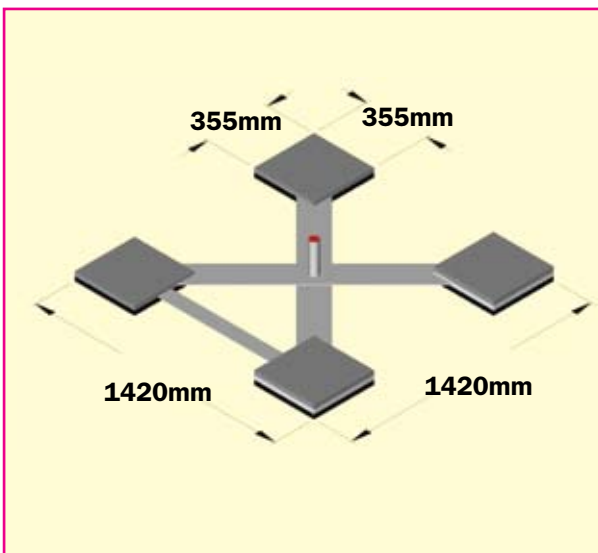
The **KEE ANCHOR** range of products comprises:

- **WEIGHTANKA** – portable deadweight anchor
- **ACCESSANKA** – portable deadweight anchor system for rope access
- **WIREANKA** – deadweight anchor system with flexible horizontal life line.



Weightanka®

Deadweight Anchor



WEIGHTANKA is a mobile, deadweight anchor device for use on roofs of up to 5 degrees pitch, where the absence of guardrails or permanent anchor devices would otherwise preclude safe means of access. **WEIGHTANKA** is the first Class 'E' anchor device to be approved for use on all roof surfaces when wet and also for use downhill on metal clad roofs (subject to the addition of two extra weights). **WEIGHTANKA** utilises a central pedestal (attachment point) which raises the height at which the arrest force is applied, thus reducing the distance the anchor device moves during a fall arrest event.

A basic system weighs only 250Kg and uses individual, smaller components, with no single item weighing more than 25Kg. The modular construction makes it a very practical and convenient option, easy to lift and carry to and from the point of use.

Features

- Does not penetrate the roof surface
- Base layer weights fully encased in rubber moulding
- Raised central pedestal reduces the distance of travel during a fall arrest event
- Galvanised to BS EN ISO 1461
- Conforms to CLASS E EN 795, BS 7883 & ISO 14567
- CE Approved to PPE Directive
- Independently tested at N.E.L. (National Engineering Laboratory, East Kilbride, N.B. 0320).

Benefits

- System for up to two users for restraint
- Rubber moulded base layer weights prevent rubber pads 'peeling' at the edges
- With the correct model it can be used on any of the following roof surfaces in WET or DRY conditions:

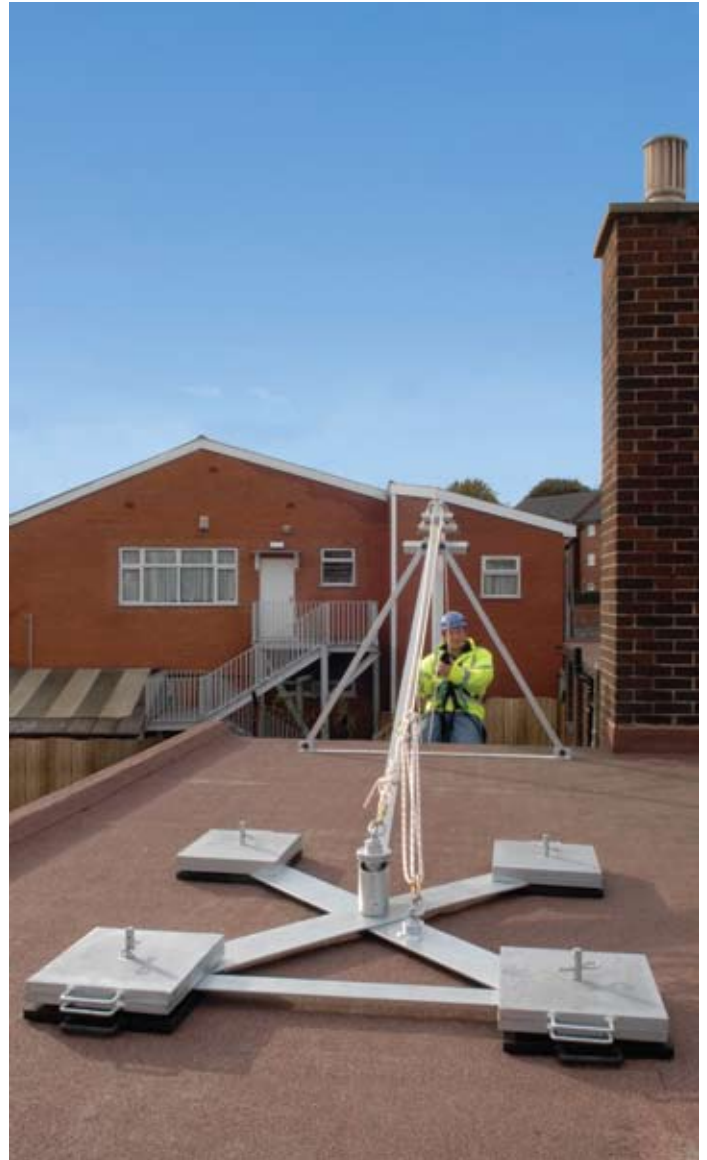
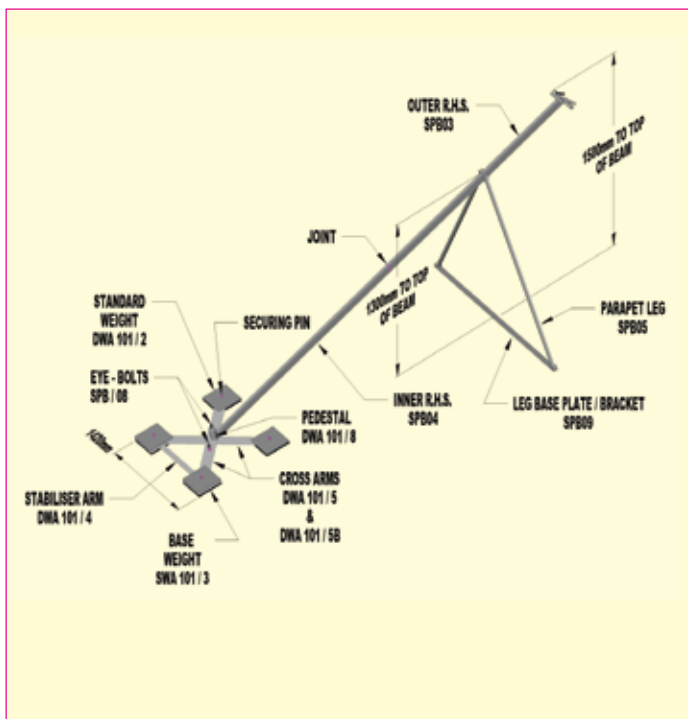
Single Ply Membrane	Asphalt
Steel Cladding	Concrete
Stone Chippings (Brushed)	Mineral Felt
- Can be used on roofs up to 5° pitch
- Easy to assemble, minimal amount of components and no need for extra tools.

Portable Deadweight Anchor System for Rope Access

Accessanka[®]

ACCESSANKA is designed as an accessory to **WEIGHTANKA** to provide a portable anchor device for rope access workers, allowing them to work safely in accordance with BS 7985, the 'Code of Practice for the Use of Rope Access Methods for Industrial Purposes'. When correctly installed, the system is extremely stable and will not migrate across the roof surface either in normal use or when arresting the fall of both a worker and a rescuer up to a 200Kg limit.

ACCESSANKA has been designed for easy transportation and installation with no part over 25Kg or 2 metres.



Features

- Does not penetrate the roof surface
- Self contained portable anchor device
- Separate anchor points for the working line and back up line
- Modular construction
- Internally force balanced system allows the assembly to remain static, even when arresting the fall of both worker and rescuer
- Conforms to CLASS B EN 795, BS 7883 & ISO 14567
- CE Approved to PPE Directive
- Independently tested at N.E.L.. (National Engineering Laboratory, East Kilbride N.B. 0320).

Benefits

- Requires no attachment to structural members
- Easily moved across roof surface, removing need for multiple attachment points
- Rope lines held away from edge of building reducing risk of abrasion
- Provides full fall arrest protection before approaching edge
- Aluminium, galvanised and rubber coated parts requiring minimum maintenance.

WIREANKA is a system of deadweight anchor devices and Class 'C' horizontal, flexible safety lines to EN 795. It is intended for use on flat roofs, in temporary situations, or where it is preferable that penetration of the roof surface be avoided.

For up to two users in fall arrest and multiple users in restraint (dependant on configuration).

To be classified as restraint, the position of the **WIREANKA** and the length of the lanyard must ensure it is not possible to approach within 500mm of a roof edge or other opening.



Features

- Does not penetrate the roof surface
- First deadweight support to be approved for Class 'C' horizontal flexible safety lines
- Base layer weights fully encased in rubber moulding
- Conforms to Class C EN 795 & ISO 14567
- CE Approved to PPE Directive
- Galvanised to BS EN ISO 1461
- Independently tested at N.E.L. (National Engineering Laboratory, East Kilbride N.B. 0320).

Benefits

- Suitable for use on any premises where disruption of day-to-day business operations by opening the roof is to be avoided
- With the correct model it can be used on any of the following roof surfaces in WET or DRY conditions:

Single Ply Membrane	Asphalt
Steel Cladding	Concrete
Stone Chippings (Brushed)	Mineral Felt
- Rubber moulded base layer weights prevent rubber pads 'peeling' at the edges.

Minimum Edge Distances and Minimum Free Fall Distances Relative to the Span

Fall Arrest Systems

Maximum span (m) between anchors	5	6	8	10	12	15
Minimum fall distance (m)	5.2	5.4	5.8	6.2	6.6	7.2
Minimum distance from edge of fall hazard (m)	2.5	2.5	3.0	3.0	4.0	4.0

Restraint Only Systems

Maximum span (m) between anchors	5	6	8	10	12	15
Minimum distance from edge of fall hazard (m)	2.5	2.5	2.5	2.5	Consult our Technical Department	